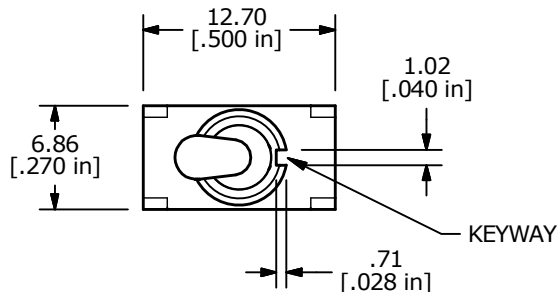
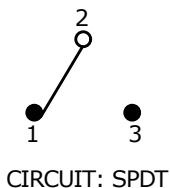


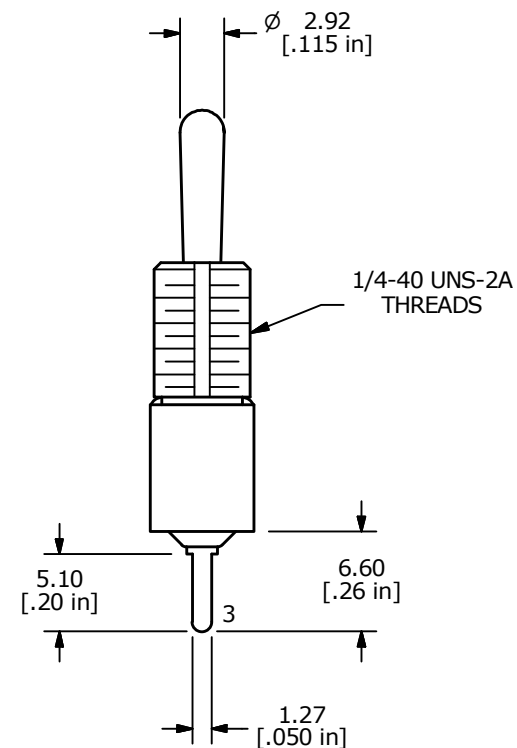
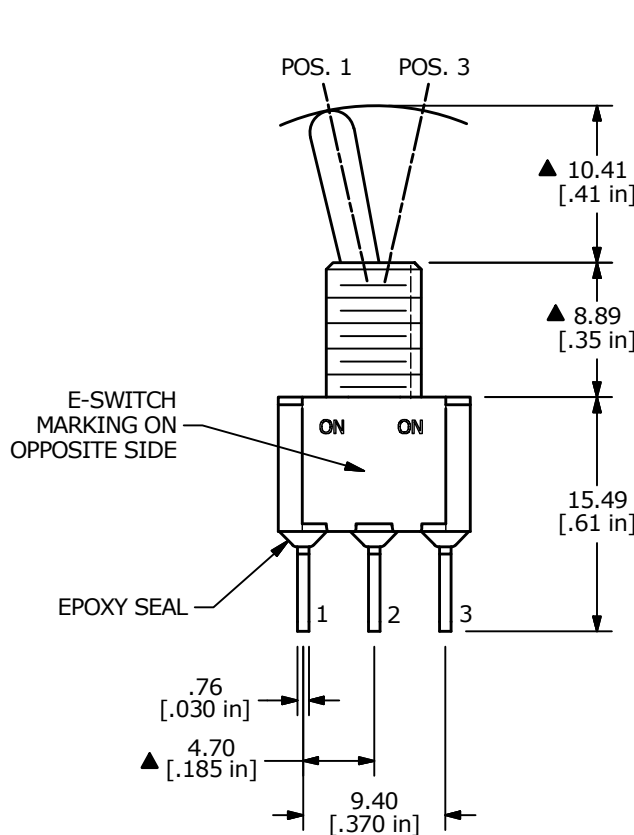
P.C. MOUNTING



▲ SWITCH FUNCTION		
POS. 1	POS. 2	POS. 3
ON	NONE	ON
2-3	N/A	2-1



- NOTE:
- ALL DIMENSIONS IN MM [INCH]
 - GENERAL TOLERANCE: X.X = ±0.4
X.XX = ±0.25
 - TERMINAL NUMBERS FOR REF ONLY
 - ▲ PLATING MATERIAL: SILVER
 - RATING: 5A @120VAC or 28VDC
2A @250VAC
 - ELECTRIC LIFE: 40,000 MAKE-AND-BREAK CYCLES
AT FULL LOAD.
 - INSULATION RESISTANCE: 1,000 MEGA-OHM MIN.
 - DIELECTRIC STRENGTH: 1,000 V RMS @ SEA LEVEL
 - OPERATING TEMP.: -30°C to 85°C
 - HARDWARE TO BE SHIPPED BULK
T100000 - HEXNUT - QTY 2
T100011 - LOCKWASHER - QTY 1
T100015 - LOCKRING - QTY 1
 - ▲ DENOTES CRITICAL PARAMETER.



B	24202	update print	2/20/20	MW
A	14705	RELEASED FOR PRODUCTION	2/17/05	AR
REV	PCR NO	DESCRIPTION	DATE	BY

TITLE 100SP1T1B1M2QEH				
SCALE 2:1	DATE 2/17/2005	DR AR	DWG ST110001	REV B

THE INFORMATION CONTAINED IN THIS DOCUMENT IS PROPRIETARY TO E-SWITCH AND IS NOT TO BE COPIED OR TRANSFERRED